

**FILE FORMAT CONVERTER (MLB)
FOR
MODEL U-C1**

1. FILE FORMAT CONVERTER INSTALLATION

1.1 ACCESSORY CHECK

Check the accessories in the box against the following list:

No.	Description	Q'ty	Note
1	File Format Converter Board	1	
2	Operating Instructions	1	
3	Screw – M3x6	2	

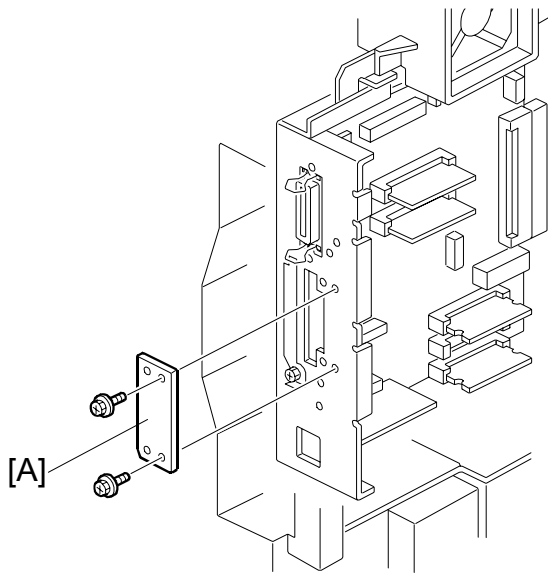
1.2 INSTALLATION PROCEDURE

CAUTION

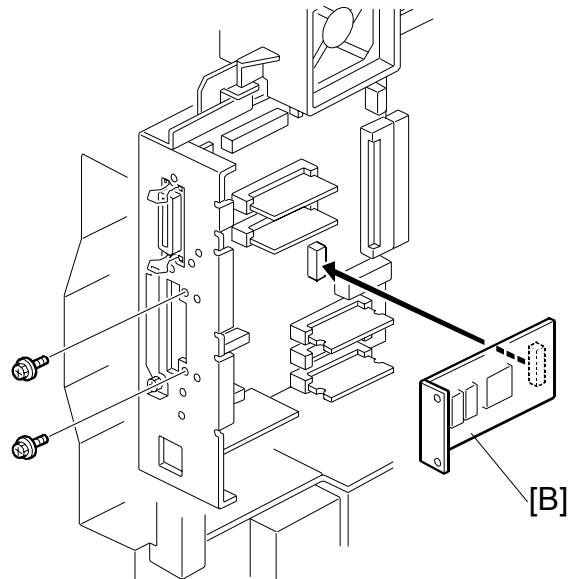
Unplug the main machine power cord before starting the following procedure.

- NOTE:** 1) To install this option, the printer/scanner option (B529) and memory option (G331 or G332) must be installed first (☛ 1.2).
- 2) The wireless LAN board, the IEEE1394 interface board, and this option cannot be installed in the same machine. If the wireless LAN board or IEEE1394 interface board has been installed, remove it.
- 3) The file format converter is available for the following software versions or later.

Software	Version	Service Card Version
Controller	2.00.1	Controller ver. 2.001
Fax	2.00	BICU-Fax ver. 1.07
Printer	2.00	Printer ver. 2.00
NFA (Net File)	1.66.00	
Scanner	2.00	S2.00_PS1.06
DeskTop Binder V2	3.0.0.0	----



B5291309.WMF



B5291310.WMF

1. Remove the rear cover and controller board cover (☛ steps 1 and 2 of the printer/scanner installation section).
2. If the cover plate [A] has been installed, remove it (☛ x 2).
3. Attach the media link board [B] to the controller board (☛ x 2).
4. Replace the controller board cover and rear cover.
5. Turn the main switch on.
6. Check the software versions listed on the previous page. If the installed software version does not match the table, download the correct firmware.
7. Perform the memory clear for network application (SP5-801-10).
8. Input the following default values manually (SP5-836).

SP No.	Value	SP No.	Value	SP No	Value
5-836-01	0 (see NOTE)	5-836-74	3	5-836-83	1
5-836-02	0	5-836-75	0	5-836-84	0
5-836-71	3	5-836-76	0	5-836-85	1
5-836-72	0	5-836-81	0	5-836-86	2
5-836-73	0	5-836-82	1	5-836-91	50

NOTE: When you want to capture images using e-Cabinet, SP5-836-01 must be set to “1”.

2. PURPOSE OF THE FILE FORMAT CONVERTER (MLB)

In previous models (such as A-C2, R-C2), DeskTopBinder V2 could retrieve copy and print jobs from the document server and convert them to TIFF. However, this software-based conversion was slow for many users.

So, for this machine, this conversion has been made hardware-based, using the optional File Format Converter. Without the File Format Converter, copy and print jobs cannot be downloaded to a PC (or e-Cabinet) from the document server.

Two common target formats are provided for conversion to files that can be selected by the SP modes: JPEG, and TIFF.

In scanner mode, users can select file format from TIFF, JPEG, or PDF. The time to create TIFF and JPEG files will be shortened with the File Format Converter, especially for high scanning resolution and large image size. When the customer selects PDF, the machine creates a TIFF or JPEG file from the scanned image first then converts it to PDF. So, the total time to create a PDF is also shortened with the File Format Converter.

The sRGB color space can be selected in color scanning mode. The color scanned data (RGB data) are converted to sRGB color space using File Format Converter.

3. SP MODES

After installing the File Format Converter (MLB) and upgrading the software, the following SP modes will be available.

SP	Number/Name	Function/[Setting]	
5836	Capture Setting		
	001	Capture Function	With this function disabled, the settings related to the capture feature cannot be initialized, displayed, or selected. [0~1/0/1] 0: Disable 1: Enable
	002	Panel Setting	Determines whether each capture related setting can be selected or updated from the initial system screen. [0~1/0/1] 0: Disable 1: Enable The setting for SP5836 001 has priority.
	051	Capture Setting: Cancel Document	Deletes the file(s) that could not send to a PC or waiting for sending.
	071	Capture Setting: Resolution Conversion for Color	Determines the resolution conversion ratio when a Color image document is sent to the Document Server via the File Format Converter. [0~3/0/1] 0: 1 x 1: 1/2 x 2: 1/3 x 3: 1/4 x
	072	Capture Setting: Resolution Conversion for Copy Text	Determines the resolution conversion ratio when a Copy Text image document is sent to the Document Server via the File Format Converter. [0~3/0/1] 0: 1 x 1: 1/2 x 2: 1/3 x 3: 1/4 x
	073	Capture Setting: Resolution Conversion for Copy (Others)	Determines the resolution conversion ratio when a Copy image document other than Text mode is sent to the Document Server via the File Format Converter. [0~3/0/1] 0: 1 x 1: 1/2 x 2: 1/3 x 3: 1/4 x

SP	Number/Name		Function/[Setting]
5836	074	Capture Setting: Resolution Conversion for Color Print	Determines the resolution conversion ratio when a color print image document is sent to the Document Server via the File Format Converter. [0~3/3/1] 0: 1 x 1: 1/2 x 2: 1/3 x 3: 1/4 x
	075	Capture Setting: Resolution Conversion for Binary Print	Determines the resolution conversion ratio when a binary print image document is sent to the Document Server via the File Format Converter. [0~3/0/1] 0: 1 x 1: 1/2 x 2: 1/3 x 3: 1/4 x
	076	Capture Setting: Resolution Conversion for Dither Print (Grayscale processing mode)	Determines the resolution conversion ratio when the Dither print image document is sent to the Document Server via the File Format Converter. [1~3/0/1] 0: 1 x 1: 1/2 x 2: 1/3 x 3: 1/4 x
	081	Capture Setting: Format for Color Copy	Determines the image format for Color Copy images sent to the Document Server via the File Format Converter. 0: JFIF/JPEG
	082	Capture Setting: Format for Copy Text	Determines the image format for Copy Text images sent to the Document Server via the File Format Converter. [0~3/1/1] 0: JFIF/JPEG 1: TIFF/MMR 2: TIFF/MH 3: TIFF/MR
	083	Capture Setting: Format for Copy (Others)	Determines the image format for Copy (other than text) images sent to the Document Server via the File Format Converter. [0~3/1/1] 0: JFIF/JPEG 1: TIFF/MMR 2: TIFF/MH 3: TIFF/MR
	084	Capture Setting: Format for Color Print	Determines the image format for Color Print images sent to the Document Server via the File Format Converter. 0: JFIF/JPEG

SP	Number/Name		Function/[Setting]
5836	085	Capture Setting: Format for Binary Print	Determines the image format for Binary Print images sent to the Document Server via the File Format Converter. [0~3/1/1] 0: JFIF/JPEG 1: TIFF/MMR 2: TIFF/MH 3: TIFF/MR
	086	Capture Setting: Format for Dither Print (1200dpi)	Determines the image format for Dither Print images sent to the Document Server via the File Format Converter. [0~3/2/1] 0: JFIF/JPEG 1: TIFF/MMR 2: TIFF/MH 3: TIFF/MR
	091	Capture Setting: Page Quality for JPEG	Determines the quality level of JPEG images sent to the Document Server via the File Format Converter. [5~95/50/1]
5847	Net File Mag. Rate		
	001	Copy: Color	Changes the default settings of color copy image data transferred externally by the DeskTopBinder V2 page reference function via the File Format Converter. [1~3/3/1] 0: 1 x 1: 1/2 x 2: 1/3 x 3: 1/4 x
	002	Copy: Text	Changes the default settings of copy text image data transferred externally by the DeskTopBinder V2 page reference function via the File Format Converter. [0~3/0/1] 0: 1 x 1: 1/2 x 2: 1/3 x 3: 1/4 x
	003	Copy: Others	Changes the default settings of a copy image data transferred externally by the DeskTopBinder V2 page reference function via the File Format Converter. [0~3/0/1] 0: 1 x 1: 1/2 x 2: 1/3 x 3: 1/4 x

SP	Number/Name		Function/[Setting]
5847	004	Print: Color	Changes the default settings of color print image data transferred externally by the DeskTopBinder V2 page reference function via the File Format Converter. [0~3/3/1] 0: 1 x 1: 1/2 x 2: 1/3 x 3: 1/4 x
	005	Print: Binary	Changes the default settings of binary print image data transferred externally by the DeskTopBinder V2 page reference function via the File Format Converter. [0~3/0/1] 0: 1 x 1: 1/2 x 2: 1/3 x 3: 1/4 x
	006	Print: Dither (Grayscale processing mode)	Changes the default settings of dither print image data transferred externally by the DeskTopBinder V2 page reference function via the File Format Converter. [0~3/0/1] 0: 1 x 1: 1/2 x 2: 1/3 x 3: 1/4 x
	021	Netfile Page Quality Default for JPEG	Sets the default for JPEG image quality of image files handled by DeskTopBinder V2 sent via the File Format Converter. [5~95 / 50 / 1]
5848	Web Service		Sets the 4-bit switch assignment for the access control setting. 0000: No access control 0001: Denies access to Desk Top Binder V2. Has no effect on access and delivery from Scan Router. The lower 4 bits are used.
	001	Access Control: Net file	Net File: Job printed from the document server from a PC using DeskTopBinder V2. DocBox: Document Server Repository: Document Management area on the machine's hard disks
	002	Access Control: Repository	
	003	DocBox Print	
	004	User Directory	
	005	Delivery Input (Lower 4 Bits)	
	006	Fax Control (Lower 4 Bits)	